

Model 776 Large Bore Slim Thru-Bore



Features

- Slim Profile - Only 33 mm In Depth
- Thru-Bore Design For Easy Mounting
- Incorporates Opto-ASIC Technology
- Resolutions to 4096
- Bore Options to 1.875"

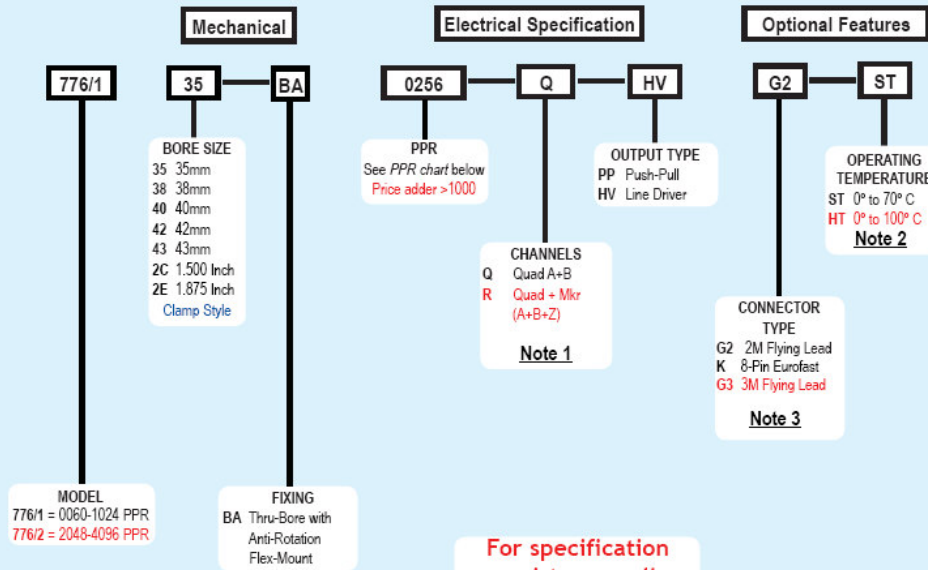
The Thru-Bore Model 776 encoder is designed to fit directly on either a motor or other shaft where position, direction, or velocity information is needed. The advanced Opto-ASIC based electronics provide the superior noise immunity necessary in many industrial applications. The Model 776 conveniently features a clamp type mount for fast and easy mounting over a large range of shaft sizes. An optional anti-rotation flex mount maintains housing stability.

Common Applications

Motor Feedback, Velocity & Position Control, Robotics, Conveyors, Material Handling

Model 776 Ordering Guide

Red type indicates price adder options. Not all configuration combinations may be available. Contact Customer Service for details.



Model 775 PPR Options

0060	0100	0120	0240	0250	0256
0500	0512	0600	1000	1024	2048
2500	4096				

NOTES:

- 1 Contact Sales Office for index gating options.
- 2 5 to 24 VCC max for high temperature option.
- 3 For non-standard cable lengths, Please Contact the Sales Office.

Model 776 Large Bore Slim Thru-Bore



Model 776 Specifications

Electrical

Input Voltage.....	4.75 to 28 VCC max for temperatures up to 70° C 4.75 to 24 VCC for temperatures between 70° C to 100° C
Input Current.....	100 mA max with no output load
Input Ripple.....	100 mV peak-to-peak at 0 to 100 kHz
Output Format.....	Incremental- Two square waves in quadrature with channel A leading B for clockwise shaft rotation, as viewed from the mounting face. See <i>Waveform Diagrams</i> below.
Output Types.....	Push-Pull- 20 mA max per channel Line Driver- 20 mA max per channel (Meets RS 422 at 5 VCC supply)
Index.....	Once per revolution. 0500 to 4096 PPR: Gated to output A 0001 to 0500 PPR: Ungated See <i>Waveform Diagrams</i> below.
Freq. Response.....	200 kHz
Noise Immunity.....	Tested to BS EN61000-4-2; IEC801-3; BS EN61000-4-4; DDENV 50141; DDENV 50204; BS EN55022; BS EN61000-6-2; BS EN50081-2
Symmetry.....	180° (±18°) electrical
Quad. Phasing.....	90° (±22.5°) electrical
Min. Edge Sep.....	67.5° electrical
Rise Time.....	Less than 1 microsecond

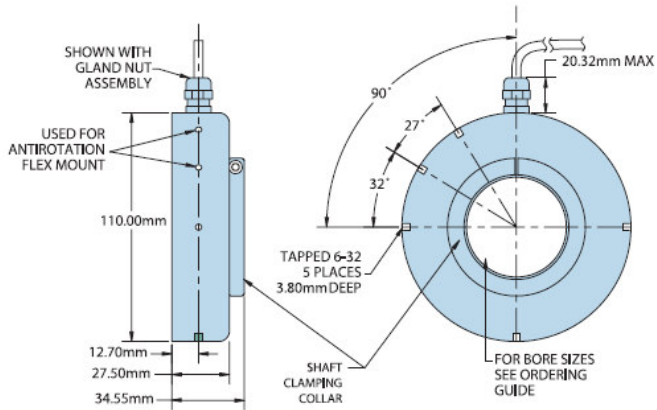
Mechanical

Max Shaft Speed.....	6000 RPM. Higher shaft speeds may be achievable, contact Customer Service.
Bore Size.....	See ordering chart
User Shaft Tolerances	
Radial Runout.....	0.15mm TIR
Axial Endplay.....	±0.70mm with style BA flex-mount
Electrical Conn.....	Gland nut with 2M cable (foil and braid shield, 24 AWG conductors), or 8-pin M12 (12 mm)
Housing.....	All metal construction
Mounting.....	Thru-Bore with collet clamp or single-screw clamp mount
Weight.....	455 gms Note: All weights typical

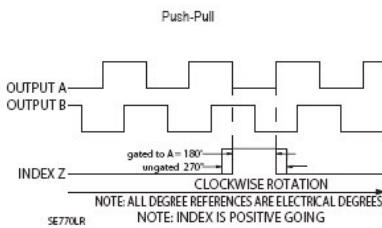
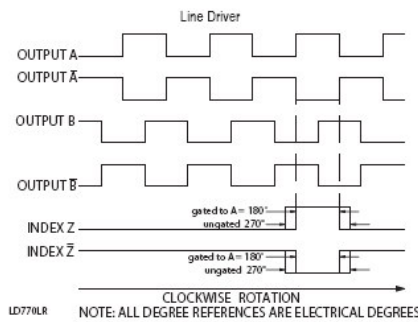
Environmental

Operating Temp.....	0° to 70° C for standard models 0° to 100° C for high temperature option
Storage Temp.....	-25° to 100° C
Humidity.....	98% RH non-condensing
Vibration.....	10 g @ 58 to 500 Hz
Shock.....	50 g @ 11 ms duration
Sealing.....	IP50

Model 776 With Gland



Waveform Diagrams



Wiring Table

Function	Gland Cable Wire Color	8-pin M12
Com	Black	7
+VCC	Red	2
A	White	1
A'	Brown	3
B	Blue	4
B'	Violet	5
Z	Orange	6
Z'	Yellow	8
Shield	Bare	—
Case	—	—

adresimiz deđiřti
Emekyemez Mah.Yüksek Minare Sk. No:8 / 17
80020 Karaköy / İstanbul
Tel:212/2359535
Fax:212/2359537